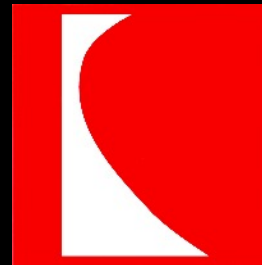
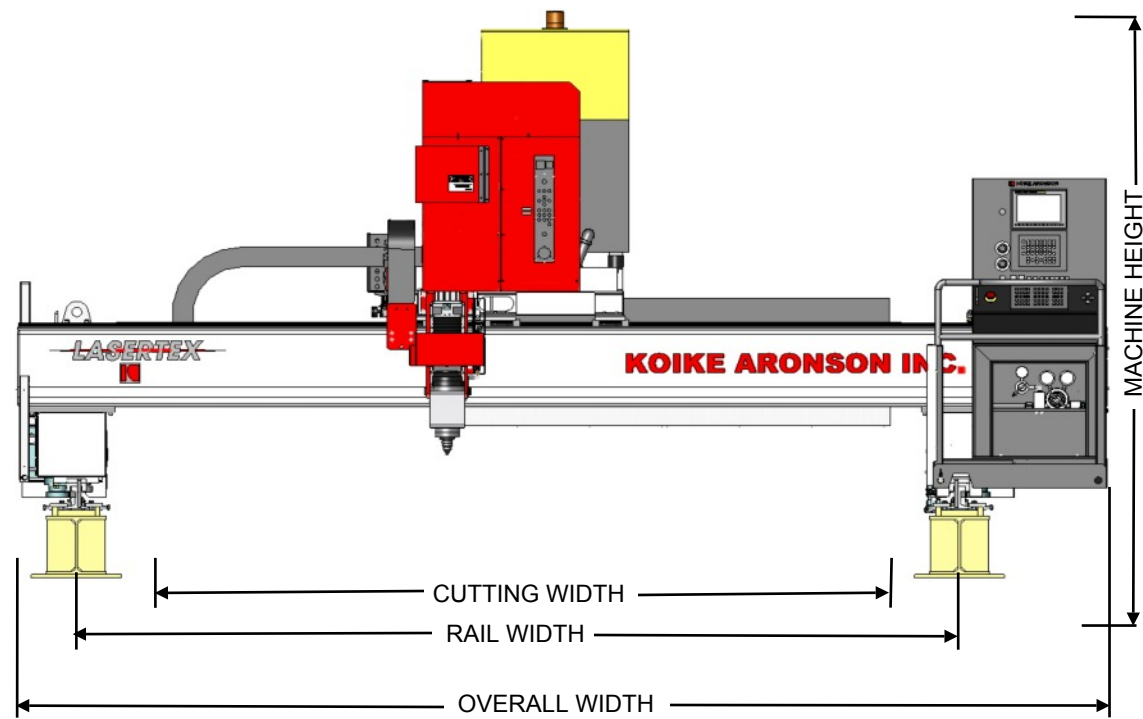




Lasertex Z Series



Koike Aronson, Inc. Ransome

Lasertex-Z Series Precision CO₂ Laser Cutting Machine



Lasertex Z Series Specifications

	6Kw	4Kw
Positioning Accuracy	±0.1mm/1000mm (±0.004"/39.4")	±0.1mm/1000mm (±0.004"/39.4")
Rapid Traverse Speed		
X axis	24,000 mm/min (945"/min)	24,000 mm/min (945"/min)
Y axis	36,000 mm/min (1417"/min)	24,000 mm/min (945"/min)
Z axis (during automatic operation)	10,000 mm/min (394"/min)	10,000 mm/min (394"/min)

Specifications Subject To Change

LASERTEX SYSTEM DIMENSIONS

Model	Cutting Width	Rail Width	Overall Width	Machine Height	
LT-3560	Inches mm	138 3500	177 4500	236 6000	101 2500
LT-4060	Inches mm	157 4000	197 5000	254 6450	101 2500
LT-4560	Inches mm	177 4500	216.5 5500	276 7000	101 2500
LT-5060	Inches mm	197 5000	236 6000	295 7500	101 2500
Model	Cutting Width	Rail Width	Overall Width	Machine Height	
LT-3540	Inches mm	138 3500	177 4500	218 6000	101 2500
LT-4040	Inches mm	157 4000	197 5000	238 6450	101 2500
LT-4540	Inches mm	177 4500	216.5 6000	258 7000	101 2500
LT-5040	Inches mm	197 5000	236 6000	277 7500	101 2500

Koike Aronson, Inc./Ransome
635 West Main Street
Arcade, N.Y. 14009
Phone: (800) 252-5232
Fax: (585) 457-3517
www.koike.com



Printed in U.S.A.

Koike Aronson/Ransome, Inc. introduces the Lasertex Z series large gantry laser cutting machine. Breakthrough features of the Lasertex has been proven to **reduce maintenance, decrease cycle time, and improve production throughput.**

The Lasertex Z series produces highly accurate parts that can further reduce downstream production costs. The Lasertex series is the ultimate solution for the larger capacity and higher accuracy demands of today's industry.

Koike Aronson/Ransome, Inc. • 635 West Main Street • Arcade, New York

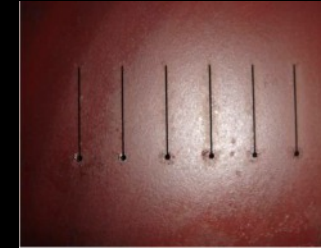
P: 585-492-2400

F: 585-457-3517

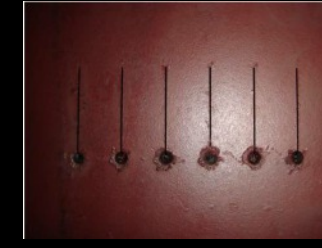
www.koike.com

6kW Lasertex Z Series
 Fanuc Resonator
 Mild steel cutting capacity: 1 in.
 Stainless steel cutting capacity: 5/8 in.

4kW Lasertex Z Series
 Fanuc Series C4000i-B
 Mild steel cutting capacity: 3/4 in.
 Stainless steel cutting capacity: 1/2 in.



HSQ



Quick Piercing

HSQ Piercing (High Speed and High quality) Patent No. 2875626 and others

The High Speed & Quality (HSQ) system uses a servomotor to move the lens' focal point downward during the pierce cycle while the nozzle is at higher position, and automatically adjusts the nozzle height and focal point after the piercing to have high quality cutting.



AFT Nozzle

AFT nozzle (Active Flow Technology) Patent pending

The AFT (Active Flow Technology) nozzle makes thick plate piercing and cutting stable, by controlling the heat to the plate.

These features allow the Lasertex to run with improved cut quality, quicker pierce times, improved unmanned operation results, and significantly increased life span of the nozzle and lens.

FEATURES

- Sigma Box beam delivery system
- Unmanned Operation
- HSQ piercing includes AFT
- Common-line cutting
- Plate Collision Skip Function
- Superior cut accuracy
- Automatic plate detection
- Carriage Pendant Operation
- Chiller Included
- End of Job Machine Shut-down
- Setting of Cutting Conditions
- Stainless Steel cutting, Marking
- High-pressure nitrogen manifold
- Optimal cutting parameters provided
- Cutting length up to 150 ft

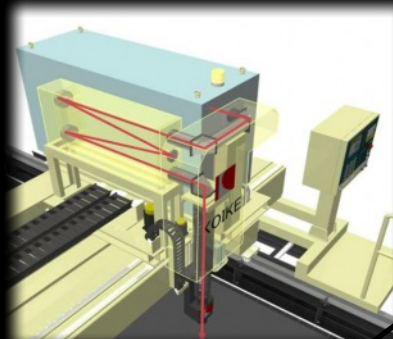
SIGMA BOX

- Stable & a higher quality beam for a longer time period
- Longer period between periodic maintenance
- Longer lifetime of optical components
- Fixed beam path for X & Y motion
- Eliminates constant beam path device & bellow system
- Operator friendly easy maintenance
- Higher safety
- Machine balance is the best.
 (resonator moves with traverse carriage)



Unlimited length of cut allows to run the machine "unmanned", for scheduled laser cutting operation of multiple plate location and thickness.

Costs are significantly reduced, by operating the system unattended (lights out) during night shift hours, due to decreased cost of power and no operator interaction.



External beam path is fixed on the traverse carriage; guarantees better cut quality for longer period.



Fanuc Resonators

- Oil mist resolution element
- Contamination collecting device
- Nano-precise mirror holding unit
- RF discharge style excitation

